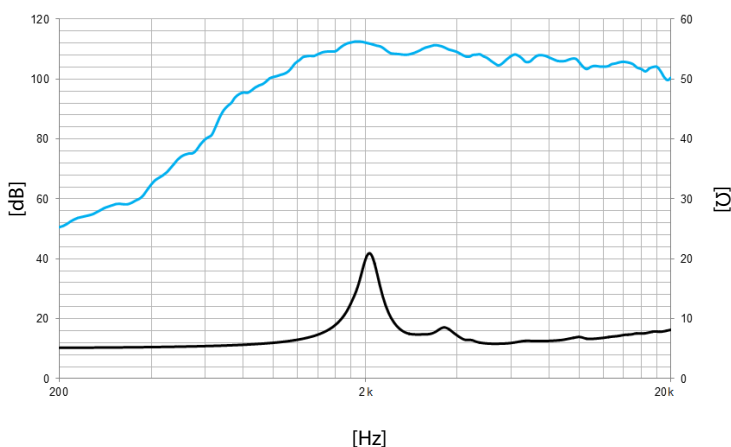
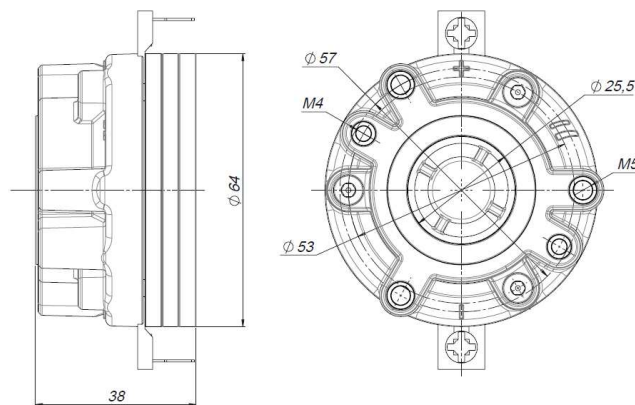


## KEY FEATURES

- 1" (25,4 mm) exit high frequency compression driver
- 1" (25,4) voice coil diameter
- 60 W program power above 2 kHz
- Sensitivity: 110 dB (1W / 1m)
- PEI polymer diaphragm
- Ultra lightweight edgewound aluminium voice coil
- Ultra low weight neodymium motor structure
- Specially designed for compact size and high performance systems



Note: On axis frequency response measured coupled to TD-164 horn in anechoic chamber, 1W @ 1m



## TECHNICAL SPECIFICATIONS

<b>Throat diameter</b>	25,4 mm	1 in
<b>Rated impedance</b>	8 Ω	
<b>Minimum impedance</b>	5,8 Ω	
<b>D.C. Resistance</b>	5,1 Ω	
<b>Power capacity*</b>	30 W <sub>AES</sub> above 2 kHz	
<b>Program power</b>	60 W above 2 kHz	
<b>Sensitivity**</b>	110 dB 1W / 1m @ Z <sub>N</sub>	
	coupled to TD-164	
<b>Frequency range</b>	1 - 20 kHz	
<b>Recommended crossover</b>	2 kHz or higher	
	(12 dB/oct min)	
<b>Voice coil diameter</b>	25,4 mm	1 in
<b>Flux density</b>		1,85 T

### Notes:

\* The power capacity is determined according to AES2-1984 (r2003) standard. Program power is defined as the transducer's ability to handle normal music program material.

\*\* Sensitivity was measured at 1m distance, on axis, with 1W input, averaged in the range 2 - 7 kHz

## MOUNTING INFORMATION

<b>Overall diameter</b>	64 mm	2,52 in
<b>Depth</b>	38 mm	1,49 in
<b>Mounting</b>	Three M5 threaded holes, 120° apart on 57 mm (2,24 in) diameter circle Two M4 threaded holes, 180° apart on 53 mm (2,08 in) diameter circle	
<b>Net weight</b>	0,4 kg	0,9 lb
<b>Shipping weight</b>	0,5 kg	1,1 lb